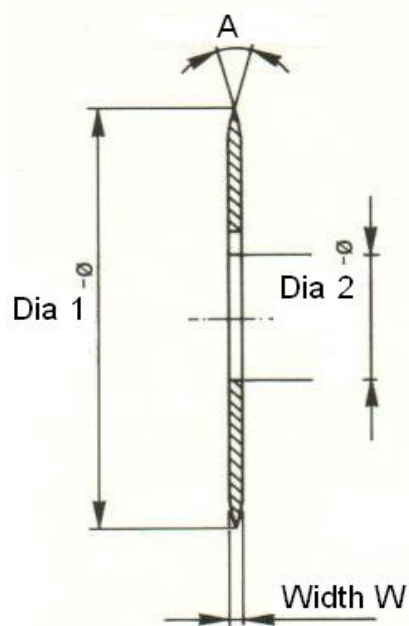
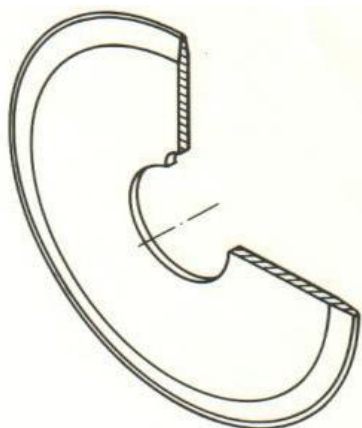


Cutting knives Type 1

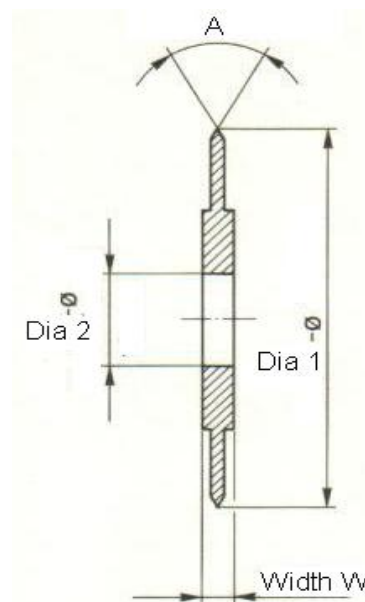
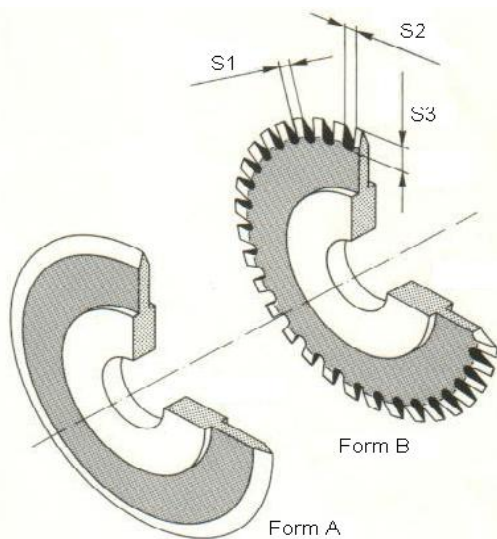


STANDARD SIZES mm

Dia1	100	105	120	150
Dia2	30	55	30	30
Width W	1,0	1,5	1,0	2,0
Angle A:				

STANDARD MATERIALS USED: 1.2080, 1.2379, 1.2235, 1.2067, 1.2436, 1.3333, 1.3343 (OTHERS ON REQUEST)

Cutting knives Type 2



STANDARD SIZES mm

Dia1	77	77
Dia2	19	19
Width W	5,2	6,35
Angle A:		

STANDARD MATERIALS USED: 1.2080, 1.2379, 1.2235, 1.2067, 1.2436, 1.3333, 1.3343 (OTHERS ON REQUEST)